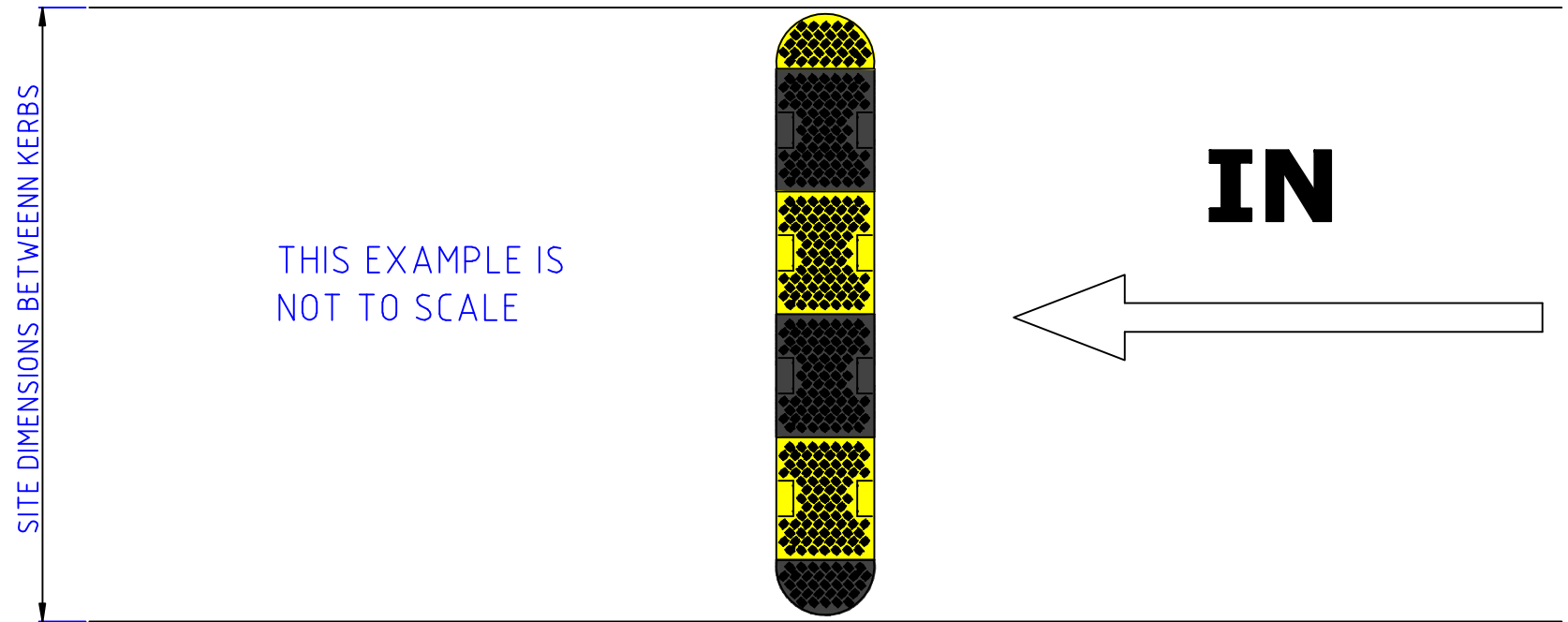
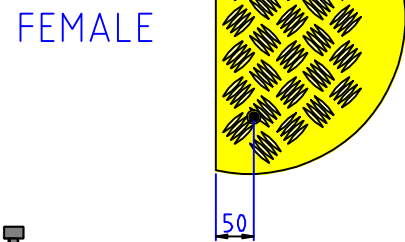
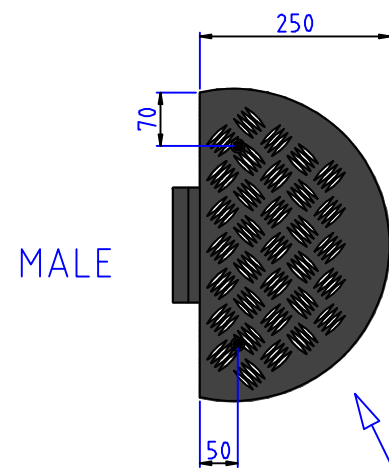
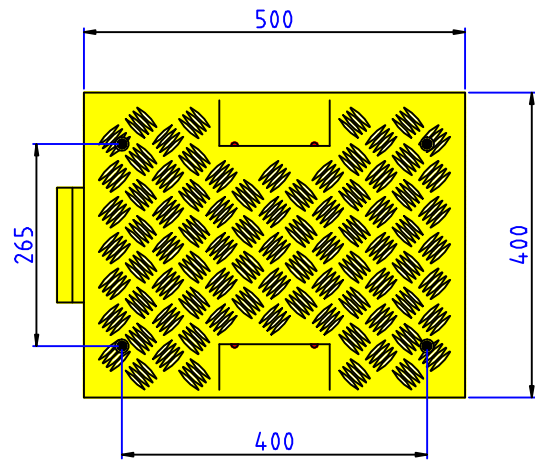
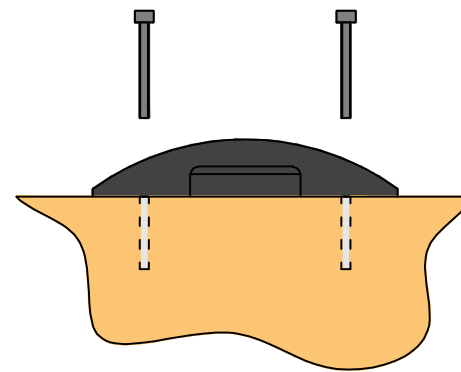
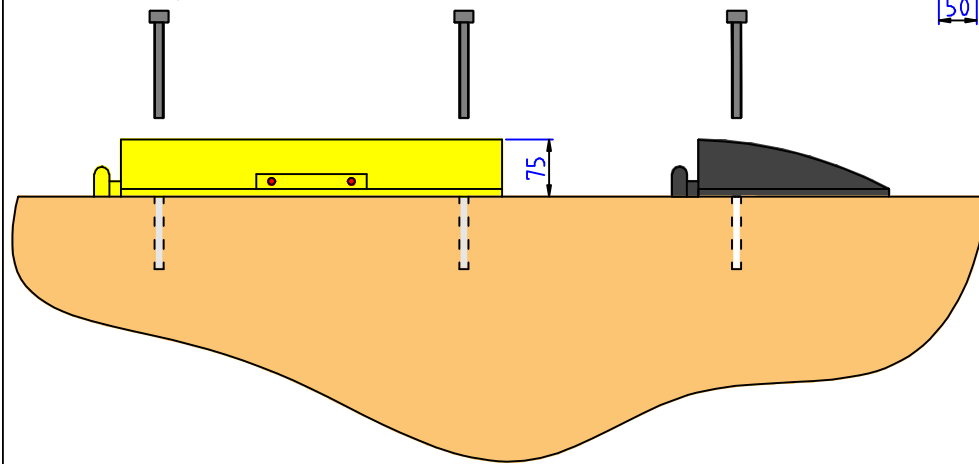


PF5750 75mm SPEED RAMP



FIXING BOLTS ARE M12 X 125mm (FOUR PER CENTRE SECTION - 2 PER END CAP)

THERE WILL BE 1 X MALE AND 1 X FEMALE AND CAP
BLACK = MALE
YELLOW = FEMALE



SPEED RAMP LENGTH	NUMBER OF CENTRE SECTIONS	NO.OF FIXING BOLTS (PACK OF 4)	NUMBER OF END CAPS (PAIRS)
2M	3	4	1
3M	5	6	1
4M	7	8	1
5M	9	10	1
6M	11	12	1
7M	13	14	1
8M	15	16	1
9M	17	18	1
10M	19	20	1
11M	21	22	1

THERE IS A CENTER RUN CABLE TUNNEL FOR TRAFFIC LIGHTS/CABLING ON THE 75mm HIGH SPEED RAMP



UNIT B, DUNTON PARK,
KINGSBURY ROAD, CURDWORTH,
SUTTON COLDFIELD, B76 9EB
TEL: 01675 471122 FAX: 01675 471133
EMAIL: sales@parkingfacilities.co.uk

DRAWN BY : STUART RUSSELL
DATE : 09/03/2009
SCALE : SCHEMATIC

TITLE : PF5750 75MM SPEED RAMP
DRAWING NUMBER : PF5750-75
REVISION : 1