

Tripod Turnstiles

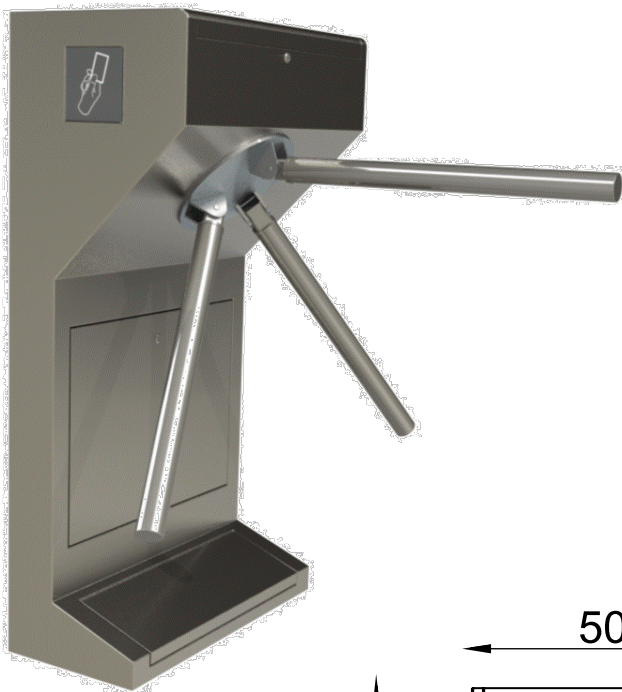
PF4300S Tripod Turnstile

Incorporating the latest technologies and design, in a durable and attractive finish, with a smooth and consistent operation.

The Tripod turnstiles provide an economic and reliable physical access control system for all types of internal access control requirements.

Bi-directional control, with LED indicators, the tripod turnstiles will operate with 99% of access control media.

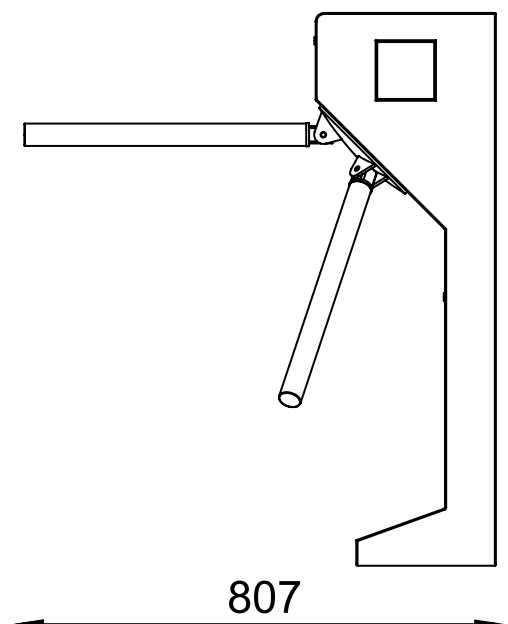
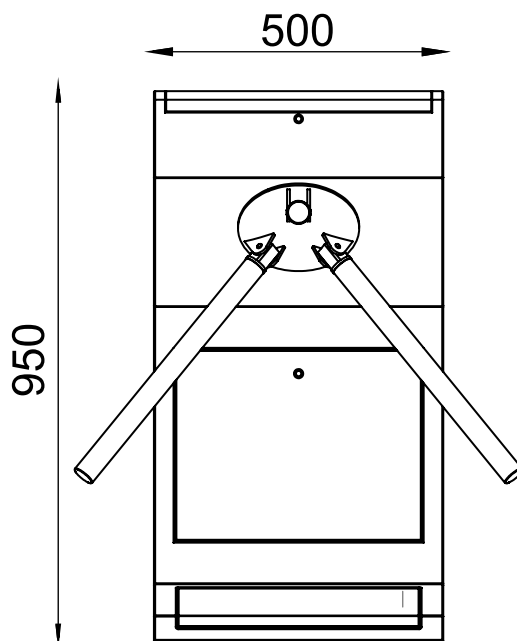
Automatic Drop Arm function for emergency exit. Standard Red foam safety sleeves are supplied (Easily removed if preferred).



PF4300S

PF4300S Specification

- Housing Material: 304 Stainless Steel
- Working Environment: Indoor
- Working Temperature: -30°C ~ +70°C
- Relative Humidity: 95% Condensation Free
- MCBF: 2,000,000 Cycles
- Channel Width: 550-600mm
- Arm Length: 500mm
- Arm Turning Angle: 120°
- Arm Turning Direction: Two Directions
- Power Supply: AC 220V/110V (Optional)
- Pass Speed: 25 Persons/Min
- Communications Interface: RS485
- Power: 50W



O&M Manual



Drawing



Video available on website