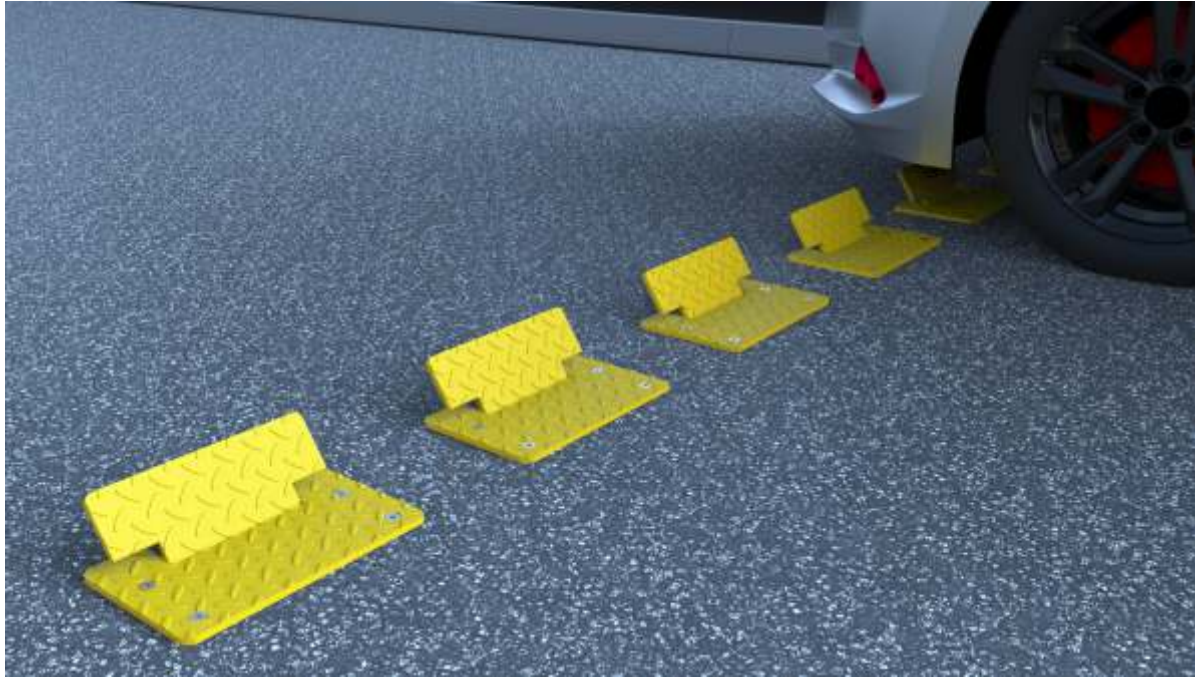


Sunken Flow Plates

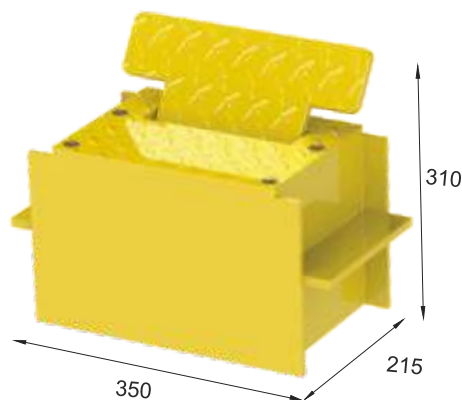


PF5800 Sunken Flow Plates



PF5800

Material	Heavy Duty Chequer Plate Steel
Dimensions	350mm x 215mm x 220mm
Finish	Zinc Plated & PPC High Visibility Yellow
Installation	Concreted In, Finish Top Surface with Top of PF5800



O&M Manual



Drawing



Video available on website