

- GENERAL NOTES**
1. FOUNDATIONS MUST BE LEVEL/IN-LINE.
  2. GATE MUST RUN LEVEL.
  3. THERE MUST BE A MINIMUM CLEARANCE OF 103mm FROM THE ROAD TO THE BOTTOM OF THE BEAM.
  4. DUCT MUST BE RUN TO RECEIVER FROM PHOTOCELL.
  5. ONCE INSTALLED, REMOVE TRANSPORTATION BOLT (SEE MANUAL).
  6. IF IN DOUBT, PLEASE ASK!

**DIMENSIONS & SPECIFICATIONS**

**FOUNDATIONS:**  
RECOMMENDED CONCRETE: C40 MIX.

**MAIN TOWER:** L = DEPENDANT ON BEAM LENGTH, H = 500mm, W = 800mm.

**CATCHPOST:** L = 475mm, H = 500mm, W = 600mm.

**REAR SUPPORT ROLLER:** L = 350mm, H = 400mm (BOLT DOWN), H = 700mm (CAST IN), W = 475mm.

**POWER REQUIREMENTS**

240v SINGLE PHASE SUPPLY,  
50hz 10A MCB,  
or 300mA RCD Type C Breaker

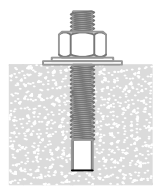
**BOLT INFORMATION**

INCLUDED—

**MAIN TOWER:**  
4 x M20 x 160MM THRU BOLTS

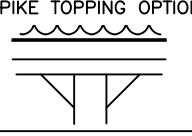
**REAR ROLLER:**  
4 x M16 x 160MM THRU BOLTS

**CATCH POST:**  
4 x M16 x 160MM THRU BOLTS



**OPTIONS**

SPIKE TOPPING OPTIONAL



WE LEAVE A 35MM ALLOWANCE FOR SPIKE TOPPING ON ALL OUR SLIDING GATES  
SPIKE TOPPING NOT FITTED TO GATES 2.4M AND BELOW

**DRAWING DETAILS**

XM OPENING – XM HEIGHT LH

MESH INFILL

COLOUR:

REVISION DATE

ORDER REFERENCE:

ORDER NUMBER:

E. & O. - ALL PICTURES AND SYMBOL DRAWING ARE FOR ILLUSTRATION PURPOSES ONLY

ORIGINAL GATE DESIGN COVERED BY COPYRIGHT ©2012 ONWARDS

