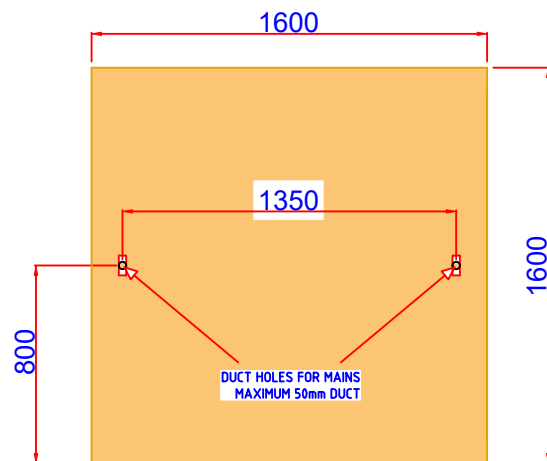
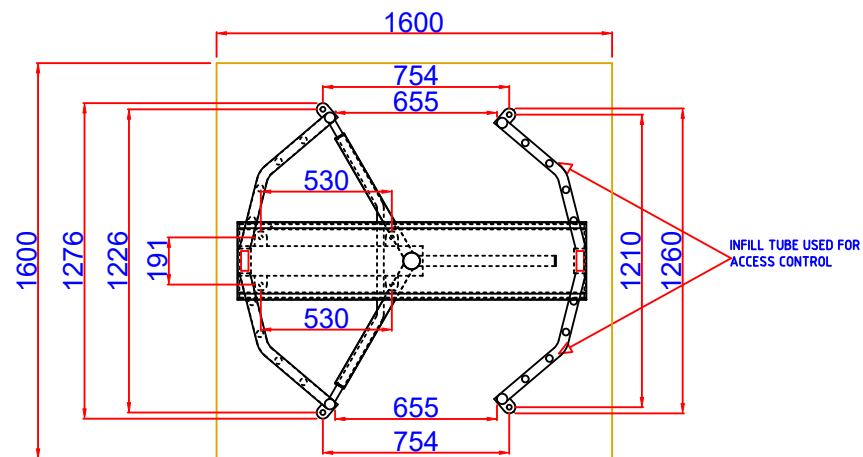
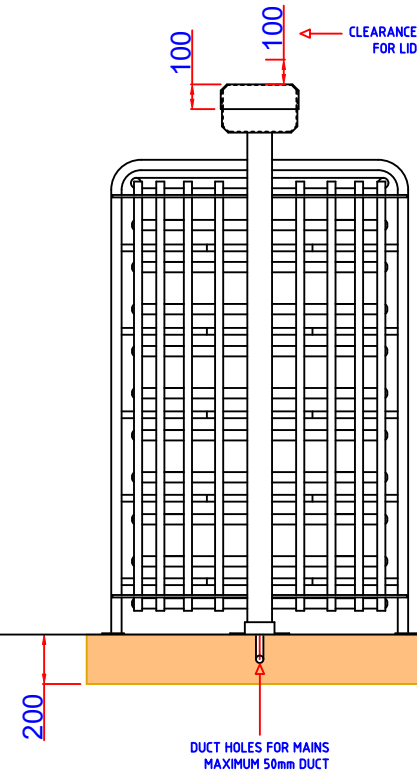
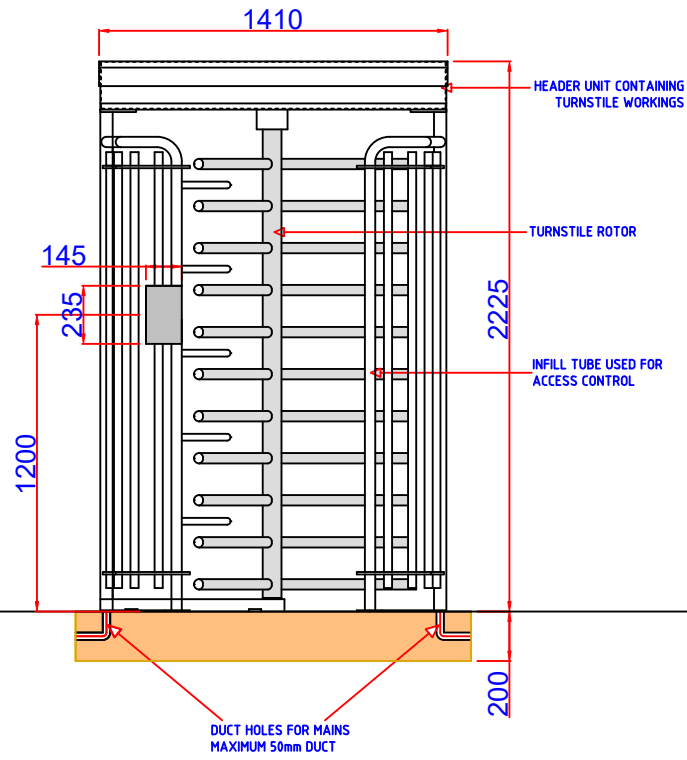


SINGLE FULL HEIGHT TURNSTILE

APPROXIMATE WEIGHT:
235kg



GENERAL NOTES

- 1.FOUNDATIONS MUST BE LEVEL/IN-LINE.
- 2.IF IN DOUBT, PLEASE ASK!

DIMENSIONS & SPECIFICATIONS

FOUNDATIONS:
RECOMMENDED CONCRETE:

PLINTH:
L = 1600mm
H = 200mm.
W = 1600mm.

POWER REQUIREMENTS

BOLT INFORMATION

INCLUDED--
MAIN TOWER:
9 x M12 x 100MM
THRU BOLTS

OPTIONS

1.	Revision 01	
No.	Revision/Issue	

SINGLE FULL HEIGHT TURNSTILE

Desg Number: SINGLE TURNSTILE	Sheet 1
Date:	